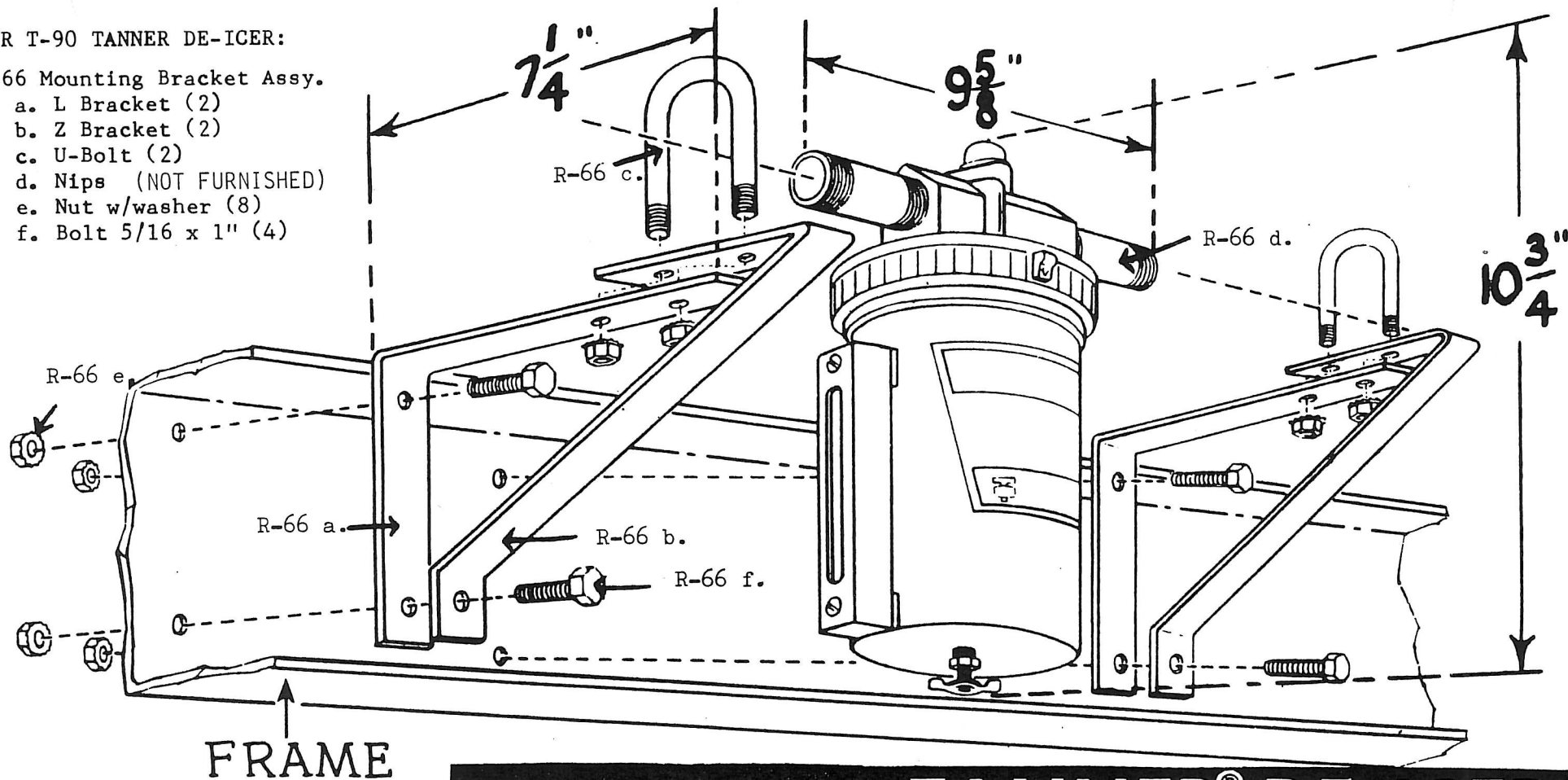


FOR T-90 TANNER DE-ICER:

R-66 Mounting Bracket Assy.

- a. L Bracket (2)
- b. Z Bracket (2)
- c. U-Bolt (2)
- d. Nips (NOT FURNISHED)
- e. Nut w/washer (8)
- f. Bolt 5/16 x 1" (4)



MODEL T-90 **TANNER[®] DE-ICER**

DIMENSIONS

OVERALL DEPTH ---- 7-1/4"
OVERALL HEIGHT --- 10-3/4"

- 1) REFER TO INSTRUCTION SHEET FOR INSTALLATION INSTRUCTIONS.
- 2) UNIT MAY BE INSTALLED ON INSIDE OR OUTSIDE, OF FRAME, WHICHEVER IS MORE CONVENIENT.



P.O. BOX 488
ST. JOSEPH, MN 56374

PHONE: 320-363-1800
TOLL FREE: 800-461-6454
FAX: 320-363-1812